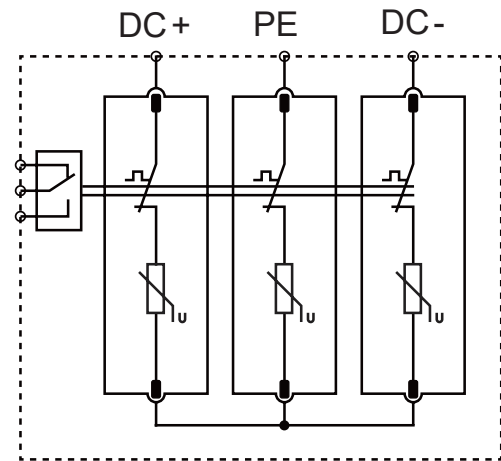


When we are looking at protecting an installation against over voltage, we have to give some consideration to external cables entering the building. PV installations will come in to this bracket. SPD's for PV systems are to protect the inverter and the fixed installation, therefore PV SPD's should be installed on the DC side of the PV system, before the inverter. These will always be Type 2 devices, unless the building has an external lightning protection system and the correct separation distance to BSEN 62305-3 has not been maintained, where you would install a Type 1 SPD.



Part No. LSPD PV1500 1500V DC

Classification according to BSEN61643-11		Type 1 + 2
Maximum PV D.C voltage	U_{cpv}	≤ 1500 V DC
Short-circuit current rating	I_{scpv}	1000A
Lightning impulse current (10/350 μ s)	I_{imp}	12.5kA
Max. backup fuse		125A DC fuse
Nominal discharge current I_n (8/20 μ s) kA	I_n	20kA
Maximum discharge current I_{max} (8/20 μ s) kA	I_{max}	50kA
Voltage protection level at 5kA	U_p	≤ 5.2 kV
Response time ns	t_A	<25ns
Three way visual indication of status		Green - OK Red - Replace
Operating temperature		-40°C to +80°C
Mounting on		35mm DIN rail
Terminal capacity	Phase line Neutral line	2.5~35mm ²
	Earth line	4.0~35mm ²
	Signal line	1mm ²