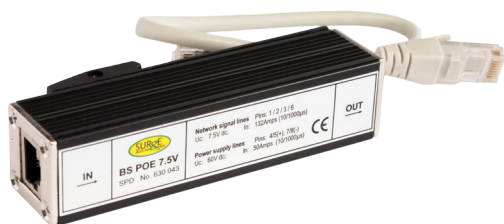
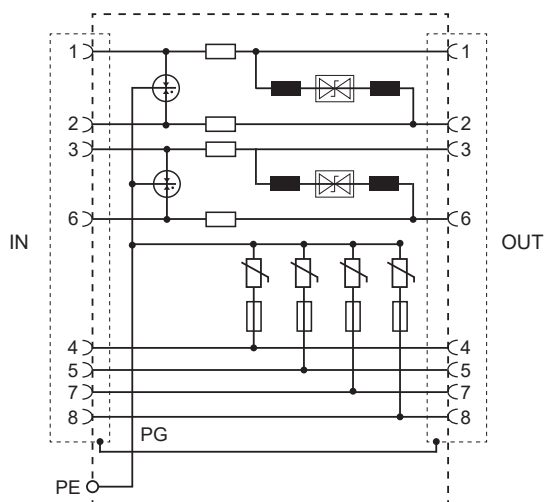


CAT.6 / Power Over Ethernet Surge Device



Part No. 630043



Type	BS POE 7.5V	
	RJ45 interface	Power supply line
Nominal voltage	U_n	5V- / 48V-
Std clamp voltage(s)	U_c	7.5V- / 60V-
Nominal discharge current (80/20 μ s)	I_n	2kA / 2.5kA
Lightning impulse current (10/350 μ s)	I_{max}	0.5kA (line-PG) / 0.5kA
Peak pulse current (10/1000 μ s)		132A (line-PG) / 50A
Voltage protection level at I_n	U_p	$\leq 60V$ (line-line) / $\leq 60V$ (line-PG) / $\leq 200V$
Response time	t_A	$\leq 1ns$ (line-line) / $\leq 100ns$ (line-PG) / $\leq 25ns$
Bandwidth	f_G	165MHz
Max. data transmission rates	V_s	100Mbits/s
Protection lines		1 / 2 / 3 / 6 / 4 / 5 (+) / 7 / 8 (-)
Connection (input/output)	-40°C...+80°C	
Mounting	RJ45 shield socket	
Earthing via	Earthing screw	
Shield earthing	Indirectly via integrated spark gap	
Dimension	120mm x 27mm x 25.5mm	
Test standards	IEC 61643-21; GB 18802.21; YD/T 1542	
Certification	CE (LVD, EMC)	

- Combined arrester handles Lightning & Surges
- Combined Category D, C, B tested device to BSEN61643
- Suitable to protect twisted pair Ethernet networks, including Power over Ethernet (POE)
- Power over Ethernet IEEE 802.3 compliant (up to PoE++ / 4PPoE)
- RJ45 connections
- Connects in series with the network cable near to where it enters or leaves the building
- Suitable for systems signalling on up to eight wires of either shielded or unshielded twisted pair cable
- Allows protected equipment to continually operate without disturbances
- Very low let through voltage / enhanced protection on all lines
- Low in line resistance means no impairing of signal strength