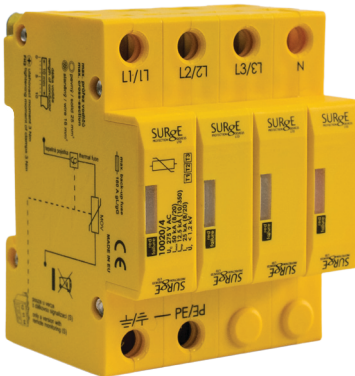


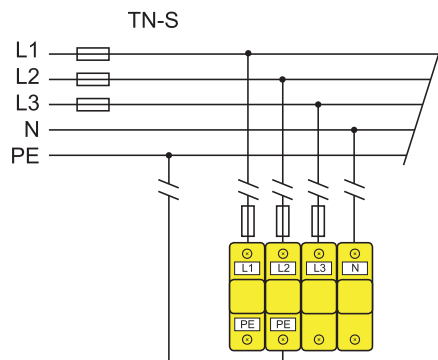
Type 1 + 2 + 3 Combined Lightning and Surge Arresters For TNC-S and TN-S Installations



Fully Compliant to BSEN62305, BS61643-11 & BS7671 Cost-Effective Combined Lightning and Surge Arrester



Part No. 10020/4
50kA 10/350µs



- Lightning protection Level 3, 50kA 10/350µs
- Fully compliant to BSEN62305, BS61643-11 & BS7671
- Combined arrester Type 1+2+3 can handle direct lightning strikes and protect sensitive electronic equipment
- Low let through voltage <1.2kV
- Visual indication of status
- Will extinguish follow currents after activation
- Remote changeover contacts can be linked to BMS, buzzer, light etc
- Din rail mountable
- Fast response time <25ns
- Minimum backup fuse / MCB 63A
- Recommended cable size 25mm²
- Can be supplied in polycarbonate IP65 or metal housing
- Manufactured in Europe
- Competitively priced against other brands

Max. continuous operating voltage	U _c	275 V AC
Lightning impulse current - charge - specific energy	I _{imp} Q W/R	12,5 kA 6,25 As 39 KJ/Ω
Total lightning current (10/350) L1 + L2 + L3 + N → PE	I _{total}	50 kA
Nominal discharge current (8/20)	I _n	20 kA
Voltage protection level at I _{imp}	U _p	< 1.2 kV
Temporary overvoltage (TOV)	U _T	335 V / 5 sec
Response time	t _A	< 25ns
Rec. backup fuse		63-100 A
Short-circuit withstand capability at max. back-up fuse	I _p	60 kA _{rms}
Lifetime		min. 100 000 h
Weight	m	560g



10020/4ENC



10020/4ENCM